



# INSTALLATION SPECIFICATION

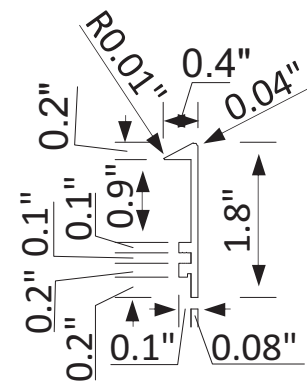
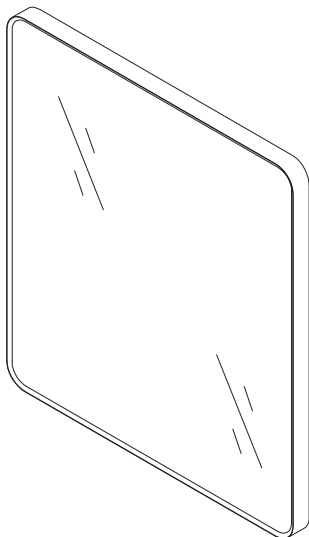
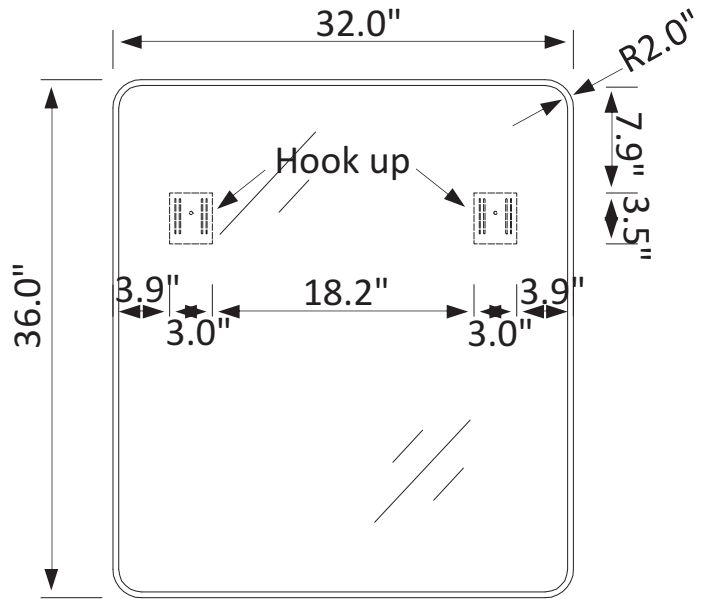
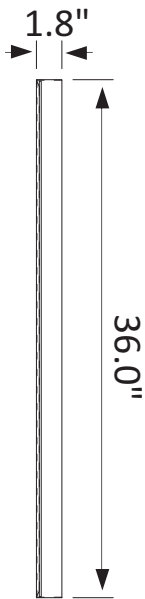
Model No.:	803232-MIR-BB
Finish:	Brushed black
Mount type:	Wall-mounted
Orientation:	Vertical
Material:	Aluminum
Storage included:	No
Overall size:	32.0"W x 36.0"D x 1.8"H
Net weight:	22.9 lbs
Lens material:	5mm lens

# Mutriku

# 32"

## Bathroom Mirror

All measurements are approximate. Measurements may vary +/- 1/2



Aluminum section